

## MULTISTANDARD MULTIMODE DIGITAL & ANALOG TERRESTRIAL TV TRANSMITTER LINE

the high quality, professional and cost-effective solution

### ABE SOLUTION FOR TERRESTRIAL TELEVISION BROADCASTING: **KEY FEATURES AND MAIN BENEFITS**

ANALOG

DVB-T/H

DVB-T2

ISDB-T/Tb

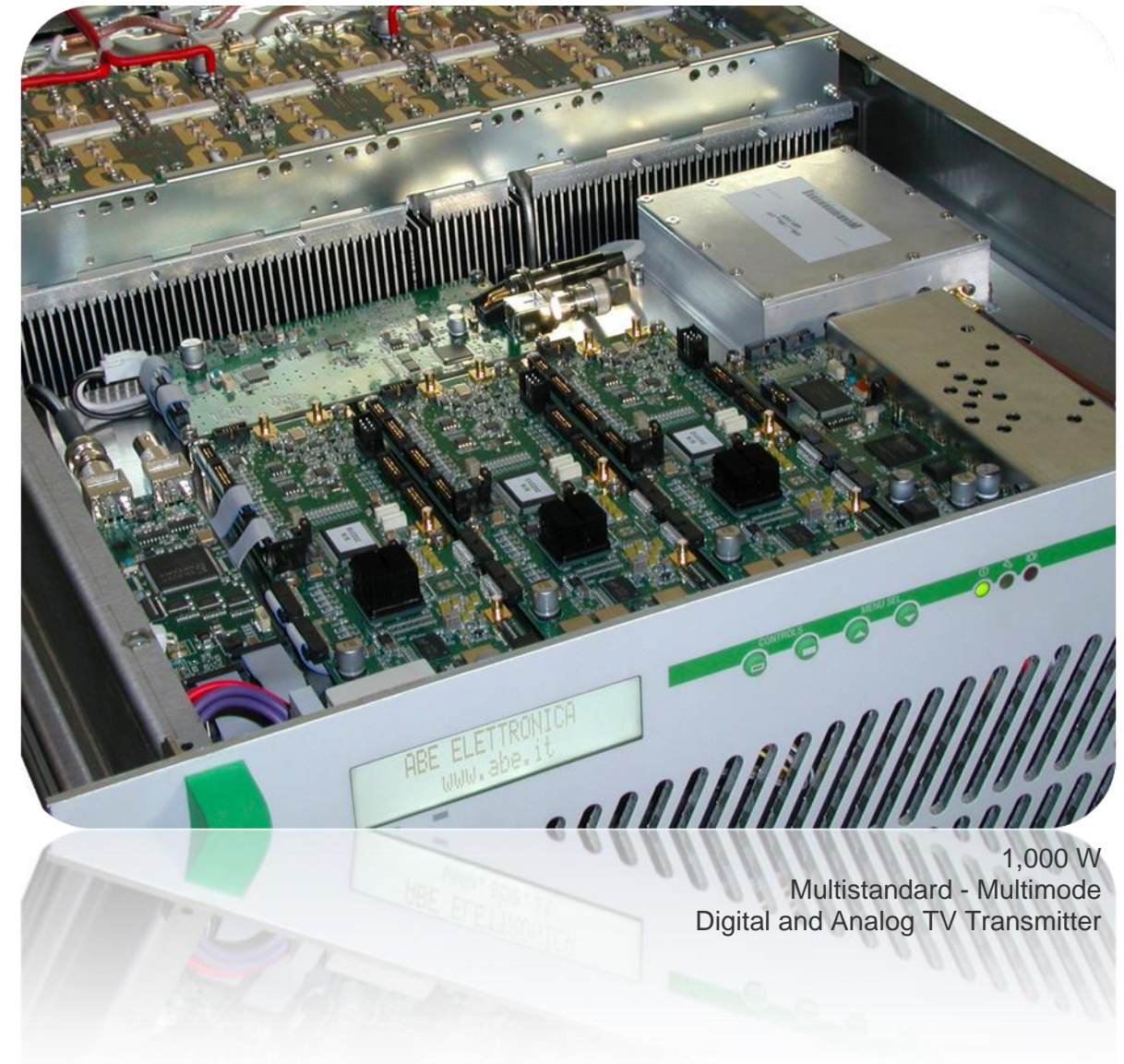
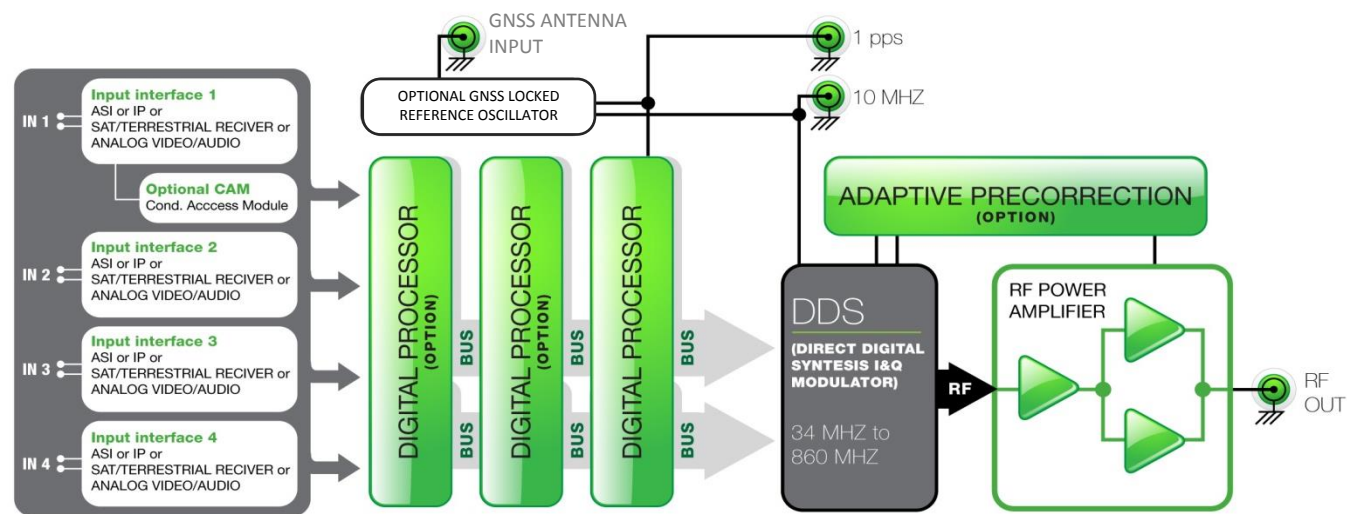
ATSC

**DVB**  
Digital Video  
Broadcasting



### KEY FEATURES

- Scalable architecture, capable of supporting both first and second generation analog and digital standards
- Multistandard analog modulation with digital processing (PAL/SECAM/NTSC B,G,D, I, K,K1, M, N standards supported)
- Multistandard digital modulation (DVB-T/H, DVB-T2, ISDB-T/Tb and other standards)
- Available configurations: Modulator - Transmitter - Transposer - Transmodulator - Gap-filler...
- Wide choice of input interfaces ( ASI - Ethernet for T.S. over IP – DVB-S/S2 Multistream receiver, Digital Terrestrial Receiver, Video/Audio analog...)
- RF output: UHF, VHF Band 1 and Band 3
- Frequency Agile Direct Digital Synthesizer with 1Hz resolution
- Adaptive precorrection option
- High efficiency 50V technology MOS and LD-MOS power amplifiers up to 20KW
- High degree of operational reliability: single or dual drive, passive stand-by systems (1+1 or N+1), multiple power amplifier versions
- User friendly local and remote control includes "on-board" display, WEB Server, SNMP and e-mail client



1,000 W  
Multistandard - Multimode  
Digital and Analog TV Transmitter

### MAIN BENEFITS

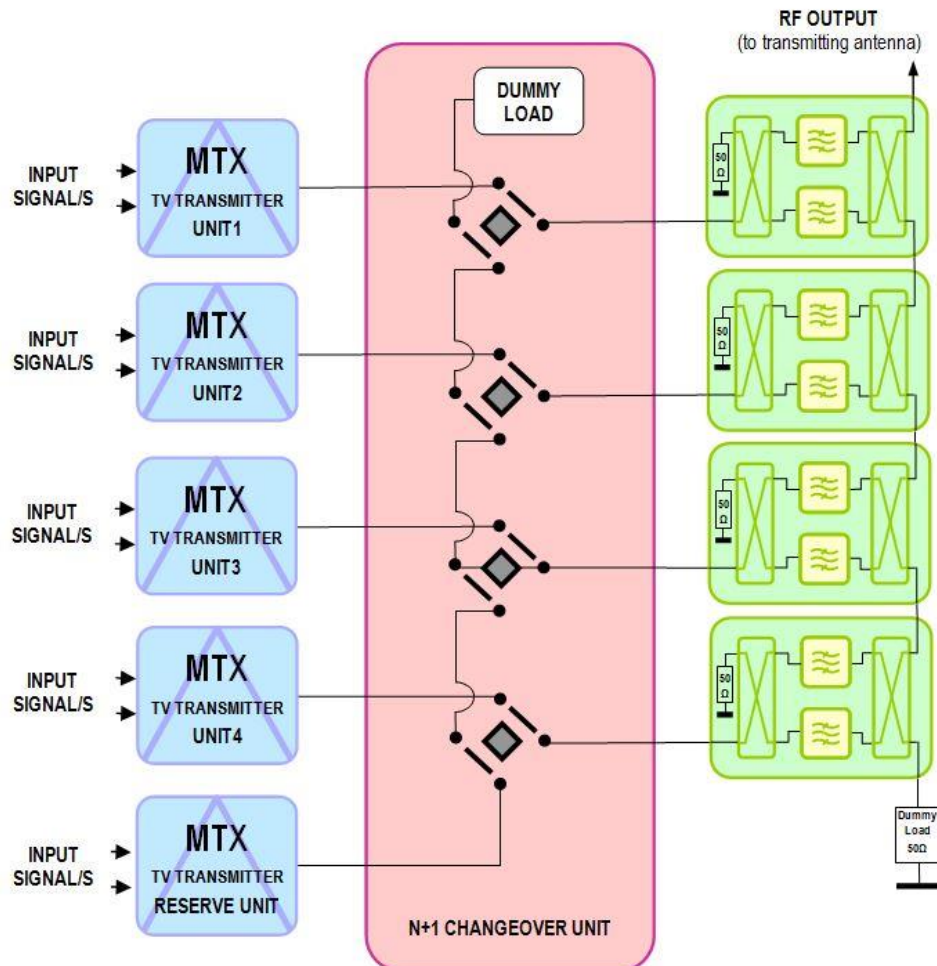
- **FUTURE PROOF HIGH PERFORMANCE COST-EFFECTIVE SOLUTIONS:**
  - Open platform design; to satisfy both today's and tomorrow's needs
  - The ultimate in technology, quality, performance and reliability
  - Low cost of ownership, low capital cost, running expenses & maintenance
- **EXTREME FLEXIBILITY:**
  - Complete range of options and configurations to satisfy any need
  - Ultra-Compact versions, up to 1KW, integrating transmitter driver and power amplifier in a single rack drawer



#### TAKE ADVANTAGE OF ANALOG TV TRANSMITTERS WITH DIGITAL PROCESSING

- Improved performance as digital processing introduces less noise and distortion and does not require any adjustment, calibration or re-calibration
- Several additional features and many more possibilities (e.g. built-in video test generator, linear and non-linear digital pre-correction, flexibility in modifying and correcting input and output signals, etc.)
- The same hardware to switch to digital modes, thus having a truly "digital ready" transmitter
- Greater ease of on-site upgrade





4+1 TV Transmitter System



3.5kW Digital TV Transmitter  
High efficiency,  
Ducted Cooling version

For technical specification and detailed description,  
please see the following documentation:

- MTX series TV Transmitters
- MTX05, MTX2, MTX10, MTX 50, MTX100, MTX250, MTX500, MTX1250, MTX1800, MTX2500, MTX3500, MTX5000, MTX10000, MTX20000 TV Transmitters



All specifications contained in this document may be changed without prior notice.